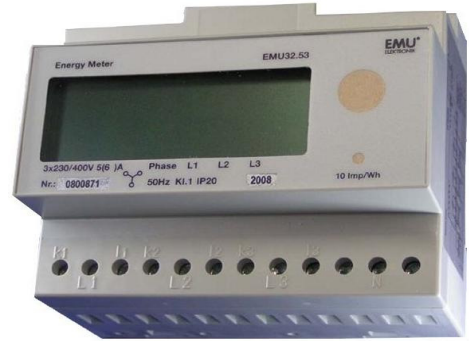


# EMU 32.53 Single Tariff EMU 32.54 Double Tariff

**Electronic Three-Phase 4-wire Active Energy Meter,  
for 5/5A to 1275/5A current transformer connection**

## Technical Data:

Nominal Voltage: 3 x 230 / 400 VAC  
 Nominal (Maximum) Current: 5 (6) A  
 Measuring range: 0.005 to 6A  
 Nominal Frequency: 45 to 65 Hz  
 Power Consumption: < 0.8 W per phase  
 Accuracy Class: 1 as per IEC 61036  
 Operation Temperature: -10 °C to 50 °C  
 Storage Temperature: -40 °C to +70 °C  
 Terminal dimensions: 4 x 6.3 mm  
 C.T. range adjustable: 5/5A to 1275/5A in 5A steps



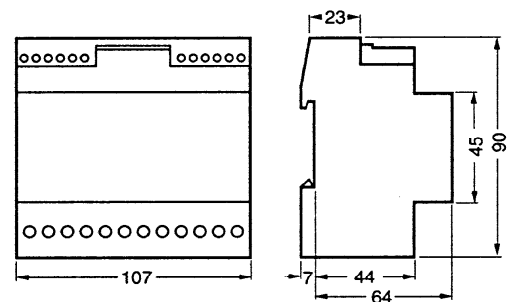
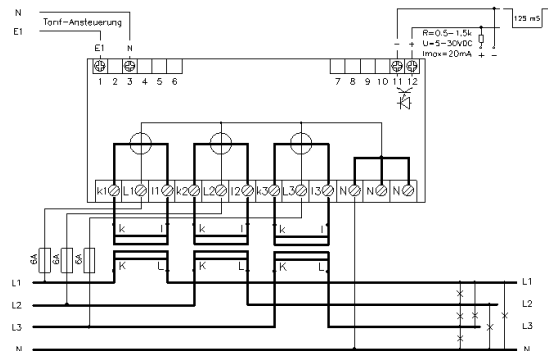
## Display

Display: Rolling kWh LCD display, 6 digits + 1 decimal position  
 Display 1: Test display, duration 2 seconds  
 Display 2: Accumulated active energy (kWh) duration 15 seconds  
 Display 3: C.T. factor I FA actually set, duration 2 seconds  
 Display 4: Meter number (customer-specific setting in factory)  
 Display 5: Software version, duration 2 seconds

Energy direction: Displays of: Consumption recorded /  
 Supply blocked by reverse running stop  
 Voltage path(s) active: are displayed

SO Impulse output 10 Imp / kWh (ti 120 msec)

Voltage and current circuits are galvanically separate  
 Read out: Optically by scanning head (IEC 61107) or by M-Bus



## Installation

Suitable for DIN rail mounting to DIN 50022-35  
 Installation: in any position correct recording  
 Weight: approx. 350 g

EMU32.53 / 54 optionally available for **M-Bus** read-out

Read-out Data: Actual system time of meter  
 Operation hours of meter  
 Total active energy  
 Instantaneous active power  
 Number of voltage outages  
 Error flags / Time of last Power Up