

EMU Light 3/65 ST – Single tariff EMU Light 3/65 DT – Double tariff

Technical data:

- Direct connection
- Maximum current I_{max} : 63A
- Nominal voltage U_n : 3x230/400V
- Own consumption: <0.7 W / Phase
- Start-up current: <15 mA
- Nominal frequency f_n : 50Hz
- Operating frequency: 45 – 55 Hz
- In conformity with CE
- In conformity with IEC 1036
- Accuracy class: 1
- Accuracy class: B according EN 50470-1 (MID)
- Operating Temperature range: - 25°C to +50°C
- Maximum range of measurement: 15mA to 63A
- Weight: ca. 320g
- Torque: 2 to 3 Nm
- Terminal: 7 x 8mm
- Terminal Tariff control: 2.5 x 3mm
- Terminal So Impulse: 2.5 x 3mm
- Humidity: Without condensation
- Operation position: Discretionary
- Installation: DIN BAR 35mm according EN60715
- Tariff control: 230VAC
- Option: [M-Bus](#)

MID Approval

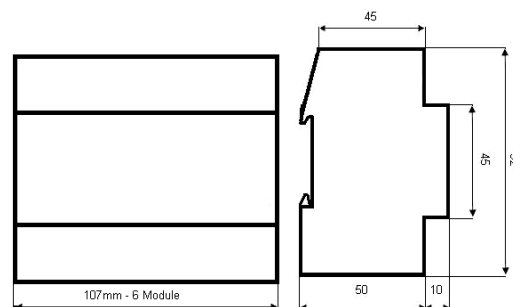
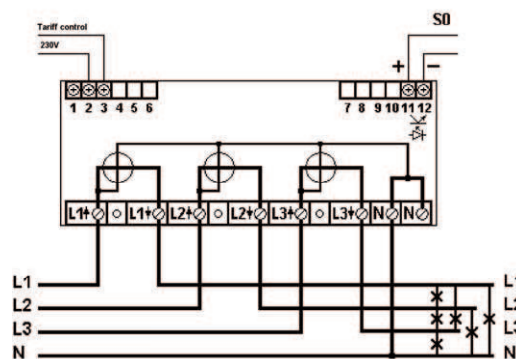
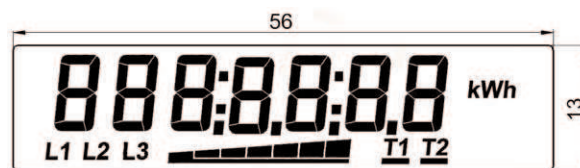
- The Energy Meter Series «EMU Light» is approved by MID Module B + D.
- The EMU Light is calibrated and certified ex factory.
- The EMU Light can be used for invoicing ex factory.

Display

- Rolling kWh LCD display
- Digit dimension: 1.5 x 8mm
- 7 digits, one decimal position 00000.0 kWh
- A bargraph is always displayed, giving an indication of the size of the instantaneous power
- Wrong connection of wires to EMU Light is indicated on display
- Data rotation on display every 8 second

SO Impulse output

- According EN 62053-31
- Impulse width: 40ms
- Impulse number: 1'000 Imp/kWh
- Supply voltage minimal: 18VDC
- Supply voltage maximum: 30VDC
- Current: 5 - 15mA
- Other impulse number / width on request





M-Bus

Optional for series EMU Light

- According EN1434
- Baudrate: Adjustable via M-Bus
- Wiring by twisted two-wire line YCYM or J-Y(St)Y 2 x 2 x 0,8 mm.
- Pluggable terminal on EMU Light.
- The maximum distance between master and slave / repeater, depending on the bus, cable cross-section and the baud rate, between 350m and 10km
- Any network structure possible.
- Parameterization of the EMU Light M-Bus could be done via M-BUS
- Parameterization Software provided by EMU Electronik AG.

Rad out data

Active Energy (kWh) Tariff 1

Active Energy (kWh) Tariff 2 (DT)

Active Energy (kWh) Supply Tariff 1 (2Q ST)

Active Energy (kWh) Supply Tariff 2 (2Q DT)

Instant Active Power (W) Phase 1

Instant Active Power (W) Phase 2

Instant Active Power (W) Phase 3

Instant Active Power (W) total

Instant Voltage (V) Phase 1

Instant Voltage (V) Phase 2

Instant Voltage (V) Phase 3

Instant Power (A) Phase 1

Instant Power (A) Phase 2

Instant Power (A) Phase 3

Instant Power total

Instant Power Factor (Cos Phi) Phase 1

Instant Power Factor (Cos Phi) Phase 2

Instant Power Factor (Cos Phi) Phase 3

Maximum Current (A) Phase 1

Maximum Current (A) Phase 2

Maximum Current (A) Phase 3

Maximum Power (W) Phase 1

Maximum Power (W) Phase 2

Maximum Power (W) Phase 3

Number of Power Supply Failures

CT Factor (EMU Light 3/5)

Constant So (Imp/kWh)